

SIEMENS



Everything. Easy. Sirius

SIRIUS CT based thermal overload relays

Answers for industry.

Index

Overview	3
Technical specifications	4
Selection and ordering data	6
List of Accessories	7
Dimensional drawing	8
Installation guidelines	9
Terminal drawing	10
Trip Curves	10
Type-2 coordination charts	11

Overview:

For more than 125 years, Siemens has been developing and manufacturing industrial control products. We offer a wide product range which caters to fulfill the demand of our esteemed customers with high-grade performance level and improved reliability. Our aim is to make industrial operations easier ensuring flexible mounting, modular construction and high functionality. The new SIRIUS CT – based thermal overload relay has been (CT-OLR) designed to provide a reliable and economical solution for motor protection above 100 A.

SIRIUS CT-OLR relays

Range:

- **3RU21** - 70...500 A (Class 10)
- **3RU23** - 55...320 A (Class 30)

Size:

- S6
- S10
- S12

Features:

- Overlapping current range
- Straight through transformer variant in Size S6
- Relay width matching with Sirius contactors
- Protection in case of overload, phase unbalance and phase failure
- Potential Free Auxiliary contacts 1NO + 1NC
- Site selectable auto/manual reset
- Mechanical trip indicator
- TEST function
- STOP button
- Sealable covers

Standards:

- IEC 60947-4-1
- CE marking



Industries:

The CT-OLR thermal overload relays are suitable for customers from all industries who want to guarantee optimum inverse-time delayed protection of their electrical loads (eg. motors) under normal starting conditions (CLASS 10) and heavy-duty starting applications (CLASS 30).

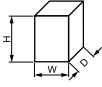
Application:

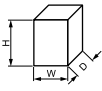
The SIRIUS CT-OLR thermal overload relays have been designed for the protection of three-phase AC motors.

Ambient conditions:

The SIRIUS CT-OLR thermal overload relays are suitable for operation from -20 °C to 60 °C

Technical specifications:

Type Size Dimensions (W x H x D) SIRIUS CT - OLR • Screw-type terminals		3RU21 56 S6	3RU21 66 S10	3RU21 76 S12	3RU23 56 S6	3RU23 66 S10	3RU23 76 S12
		mm	120x162x150	145x178x150	145x178x150	120x162x150	145x178x150
General Data							
Conformance to	IEC 60947-4-1						
Approvals	CE						
Trips in the event of	Overload and phase failure						
Trip Class acc. to IEC 60947-4-1	CLASS	10	10	10	30	30	30
Phase failure sensitivity	Yes						
Degree of protection acc. to IEC 60529	IP 20 (Front side, IP00 : Main circuit)						
Service temperature	°C	-20 to 60					
Resistance to extreme climates - air humidity	%	100					
Installation altitude above sea level	m	Up to 2000					
Built-in orientation	Vertical						
Type of mounting	Screw mounted (independent)						
Main Circuit							
Rated insulation voltage U_i (pollution degree 3)	V	1000					
Rated impulse withstand voltage U_{imp}							
• Main Circuit	kV	8					
• Control Circuit	kV	6					
Rated operational voltage U_e	V	690					
Frequency of operation	Hz	50/60					
Current setting	A	70...200	140...320	280...500	55...125	110...200	180...320
Power loss per pole	W	1.6...6	2...7	4.4...12	1...3	1.5...4	2.1...6
Short-circuit protection at 415V							
• With Fuse							
- Type 1	A	315	500	630	315	500	630
- Type 2	A	250	500		315	500	
• With moulded case circuit breaker	A	3VL27/3VL37	3VL37/47/57		3VL27	3VL37/47	
Auxiliary Circuit							
Number of NO contacts	1						
Number of NC contacts	1						
Auxiliary contacts - assignment	1 NO for the signal "tripped" 1 NC for disconnecting the contactor						
Rated insulation voltage U_i (pollution degree 3)	V	1000					
Contact rating of the auxiliary contacts							
• NC contact with alternating current AC-14/ AC-15, rated operational current I_e at U_e :							
- 24 V	A	4					
- 120 V	A	4					
- 125 V	A	4					
- 230 V	A	3					
- 400 V	A	2					
- 600 V	A	0.75					
- 690 V	A	0.75					

Type		3RU21 56	3RU21 66	3RU21 76	3RU23 56	3RU23 66	3RU23 76
Size		S6	S10	S12	S6	S10	S12
Dimensions (W x H x D) SIRIUS CT - OLR							
• Screw-type terminals	mm	120x162x150	145x178x150	145x178x150	120x162x150	145x178x150	145x178x150
Auxiliary Circuit							
• NO contact with alternating current AC-14/ AC-15, rated operational current I_e at U_e :							
- 24 V	A	3					
- 120 V	A	3					
- 125 V	A	3					
- 230 V	A	2					
- 400 V	A	1					
- 600 V	A	0.75					
- 690 V	A	0.75					
• NC contact, NO contact with direct current DC-13, rated operational current I_e at U_e :							
- 24 V	A	1					
- 60 V	A	On request					
- 110 V	A	0.22					
- 125 V	A	0.22					
- 220 V	A	0.11					
• Conventional thermal current I_{th}	A	6					
• Contact reliability (suitability for PLC control; 17 V, 5 mA)		Yes					
Conductor cross-section							
Connection type		Busbar type					
Terminal screw		M8x25 (A/F 13)	M10x30 (A/F 17)		M8x25 (A/F 13)	M10x30 (A/F 17)	
Tightening torque	Nm	10...14	14...24		10...14	14...24	
Conductor cross-section							
• Stranded with cable lug	mm ²	2 x 25...95, 1 x max. 120*	2 x 70...150, 1 x max. 240 #		2 x 25...95, 1 x max. 120*	2 x 50...150, 1 x max. 240 #	
• Finely stranded with cable lug	mm ²	2 x 25...95 *	2 x 50...150, 1 x max. 240 #		2 x 16...95 *	2 x 35...150, 1 x max. 240 #	
• AWG cables, solid or stranded, with cable lug AWG	AWG	4...250 kcmil	2/0...500 kcmil		4...250 kcmil	2/0...500 kcmil	
With connecting bar (max. width)	mm	15	25		15	25	
Connection type		Straight through transformer (only Size S6)					
Conductor cross-section							
• Stranded with cable lug	mm ²	1 x 25...95	–		1 x 16...95	–	
• Finely stranded with cable lug	mm ²	1 x 25...95	–		1 x 16...95	–	
Rectangular opening	mm	20 x 20	–		20 x 20	–	

* Terminal Cover 3RT1956-4EA1 recommended when connecting with cable lugs from 95 mm² to ensure phase spacing

Terminal Cover 3RT1966-4EA1 recommended when connecting with cable lugs from 185 mm² to ensure phase spacing

Selection and ordering data:

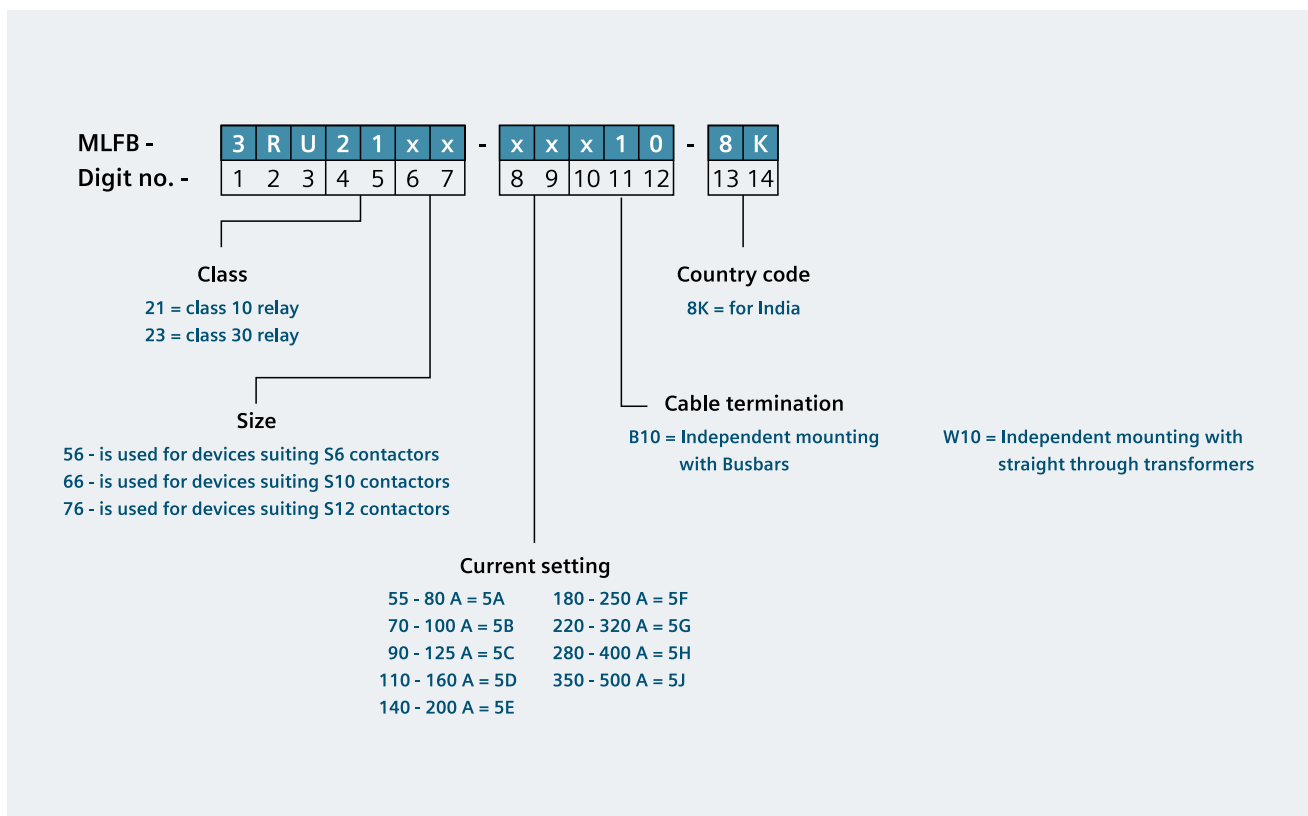
SIRIUS 3RU2 CT-based overload relays: CLASS 10 and CLASS 30

Features:

- Screw-type terminals
- Overload and phase failure protection
- Auxiliary contacts 1NO + 1NC
- Manual and automatic RESET
- Switch position indicator
- TEST function
- STOP button
- Sealable covers (optional accessory)






Size	Current Range (A)	Order no. MLFB
S6	70 - 100	3RU21 56-5BB10-8K
	90 - 125	3RU21 56-5CB10-8K
	110 - 160	3RU21 56-5DB10-8K
	140 - 200	3RU21 56-5EB10-8K
	70 - 100	3RU21 56-5BW10-8K
	90 - 125	3RU21 56-5CW10-8K
	110 - 160	3RU21 56-5DW10-8K
	140 - 200	3RU21 56-5EW10-8K
S10	140 - 200	3RU21 66-5EB10-8K
	180 - 250	3RU21 66-5FB10-8K
	220 - 320	3RU21 66-5GB10-8K
S12	280 - 400	3RU21 76-5HB10-8K
	350 - 500	3RU21 76-5JB10-8K

Size	Current Range (A)	Order no. MLFB
S6	55 - 80	3RU23 56-5AB10-8K
	70 - 100	3RU23 56-5BB10-8K
	90 - 125	3RU23 56-5CB10-8K
	55 - 80	3RU23 56-5AW10-8K
	70 - 100	3RU23 56-5BW10-8K
	90 - 125	3RU23 56-5CW10-8K
	S10	110 - 160
140 - 200		3RU23 66-5EB10-8K
S12	180 - 250	3RU23 76-5FB10-8K
	220 - 320	3RU23 76-5GB10-8K



List of Accessories:

SIRIUS 3RU2 CT-based overload relays: CLASS 10 and CLASS 30

	Version	Size	Order no.
Mechanical RESET			
 <p>3RU29 00-1A with push-button and extension plunger</p>	Resetting plungers, holders and formers	S00, S0, S6...S12	3RU29 00-1A
	Pushbuttons with extended stroke (12mm), IP 65, ϕ 22 mm	S00, S0, S6...S12	3SB30 00-0EA11
	Extension plungers For compensation of the distance between a pushbutton and the unlatching of the relay	S00, S0, S6...S12	3SX1 335
Cable release with holder for RESET			
	For a ϕ 6.5 mm holes in the control panel; max. control panel thickness 8 mm	S00, S0, S6...S12	3RU29 00-1B 3RU29 00-1C
	<ul style="list-style-type: none"> • Length 400 mm • Length 600 mm 		
Modules for remote RESET, electrical			
	Operating range 0.85...1.1xUs, power consumption AC 80 VA, DC 70 W, ON period 0.2...4 s, switching frequency 60/h		
	• 24...30 V AC/DC	S00, S0, S6...S12	3RU19 00-2AB71
	• 110...127 V AC/DC	S00, S0, S6...S12	3RU19 00-2AF71
	• 220...250 V AC/DC	S00, S0, S6...S12	3RU19 00-2AM71
Terminal covers			
	Covers for busbar connections		
	<ul style="list-style-type: none"> • Length 100 mm • Length 120 mm 	S6 S10,S12	3RT19 56-4EA1 3RT19 66-4EA1
Sealable covers			
	For covering the setting knobs	S00, S0, S6...S12	3RV29 08-0P

Dimensional drawing:

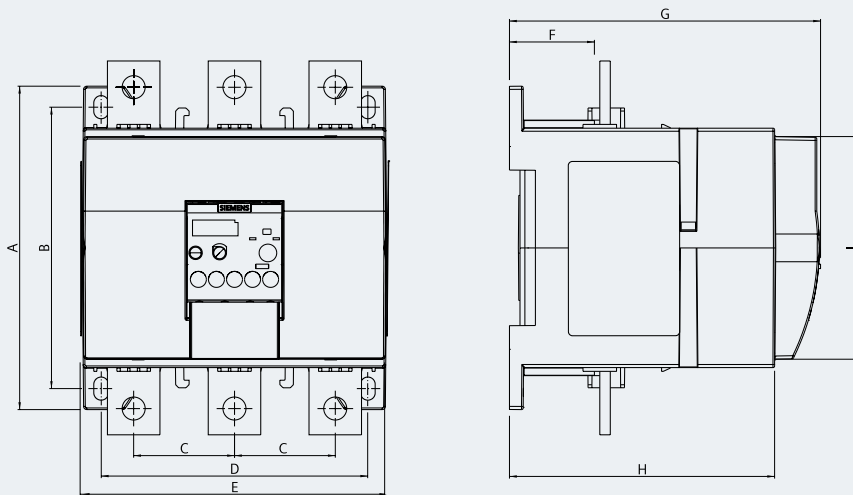
SIRIUS 3RU2 CT-based overload relays: CLASS 10 and CLASS 30

1. Independent mounting with Busbars

3RU..56-..B10

3RU..66

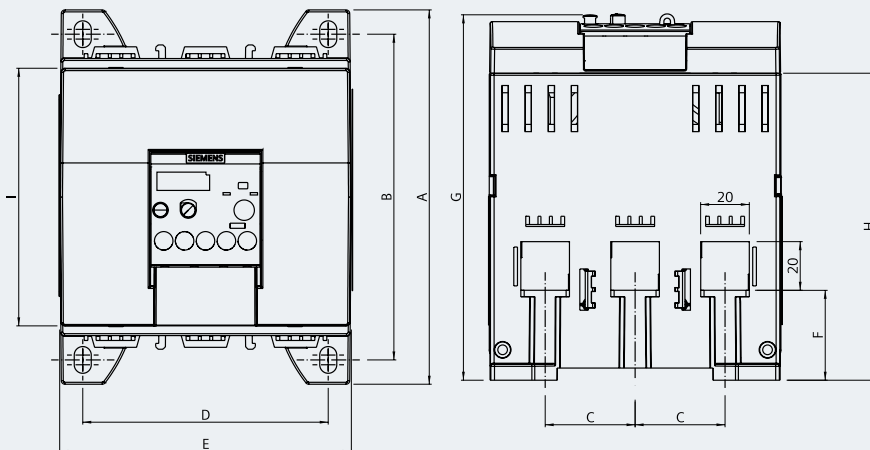
3RU..76



Type	A	B	C	D	E	F	G	H	I
3RU..56	154	134	37	101	120	37	150	126	106
3RU..66	154	134	48	127	145	43	150	126	106
3RU..76	154	134	48	127	145	43	150	126	106

2. Independent mounting with straight through transformers

3RU..56-..W10



Type	A	B	C	D	E	F	G	H	I
3RU..56	154	134	37	101	120	37	150	126	106

Installation Guidelines:

SIRIUS 3RU2 CT-based overload relays : CLASS 10 and CLASS 30

1. Installation guidelines for all voltages for combinations: 3VL + 3RT10 + 3RU2

Distances to ground parts for 3VL + 3RT10 + 3RU2 are mentioned below:

SCPD* (1)	Contactor# (2)	CT-OLR# (3)	Distance to grounded or live parts (in mm)						
			A	B	C	D	E**	F**	G
3VL2/3	3RT105..	3RU2.56...	100	25	25	25	210	140	20
3VL3/4	3RT106..	3RU2.66...	100	25	25	25	310	170	20
3VL5	3RT107..	3RU2.76...	100	25	25	25	315	180	20

* The phase barriers 3VL93 00-8CE00 (3VL2/3), 3VL96 00-8CE00 (3VL4/5) or terminal cover 3VL93 00-8C.0 (3VL2/3) must be used.

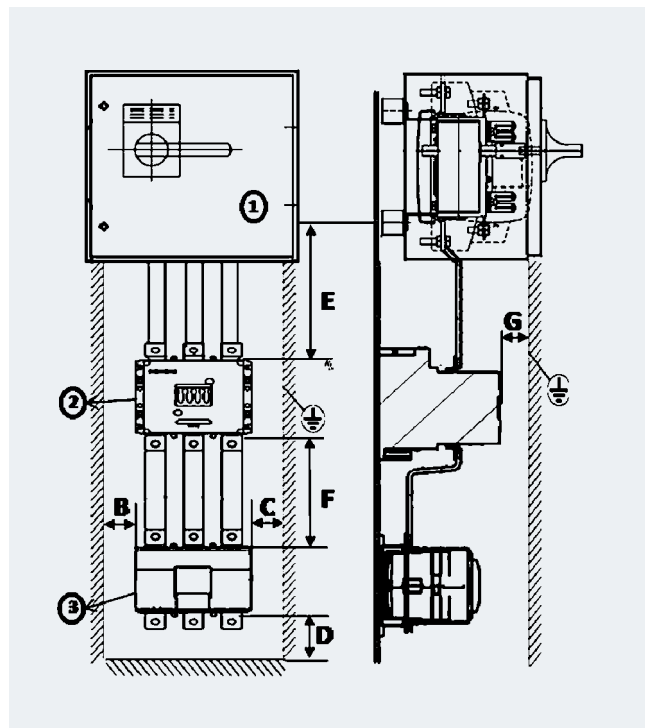
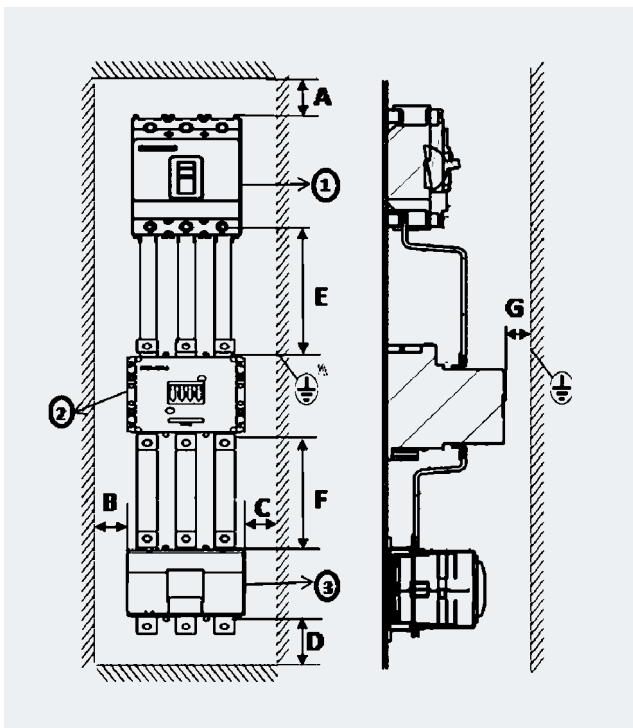
For S6, 3RT1956-4EA1 terminal cover required for cable size 95 sq.mm. and above. For S10/S12, 3RT1966-4EA1 terminal cover required for cable size 185 sq.mm. and above.

** Distance between device mounting holes

2. Installation guidelines for all voltages for combinations: 3KL + 3RT10 + 3RU2

Distances to ground parts for 3KL + 3RT10 + 3RU2 are mentioned below:

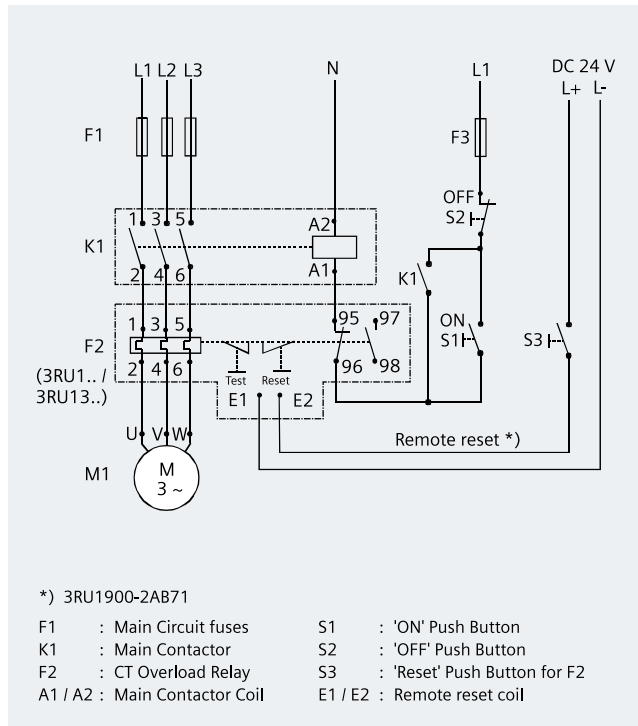
SCPD (1)	Contactor# (2)	CT-OLR# (3)	Distance to grounded or live parts (in mm)					
			B	C	D	E**	F**	G
3KL8...	3RT105..	3RU2.56...	25	25	25	210	140	20
3KL8...	3RT106..	3RU2.66...	25	25	25	290	170	20
3KL8...	3RT107..	3RU2.76...	25	25	25	290	180	20



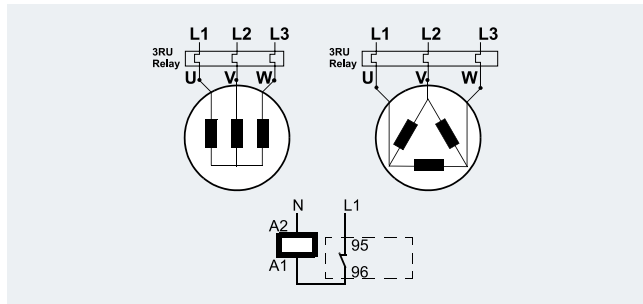
Terminal drawing:

SIRIUS 3RU2 CT-based overload relays: CLASS 10 and CLASS 30

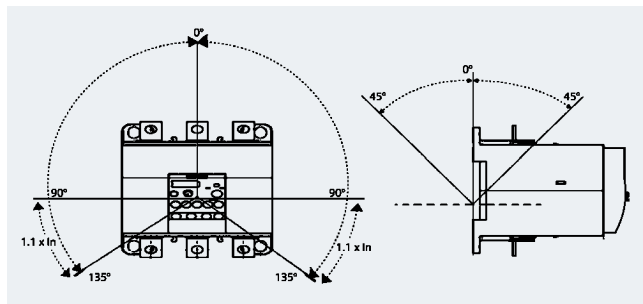
a. Circuit diagram



b. Connection diagram



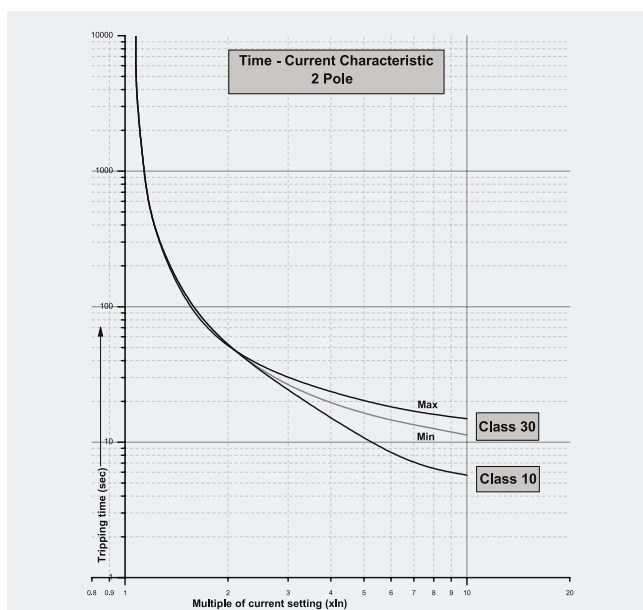
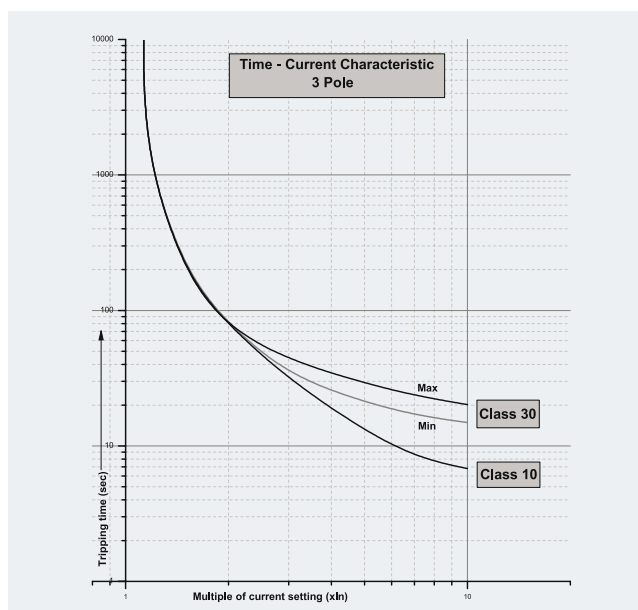
c. Mounting position



Note: Motor, cables and contactor must be chosen for the appropriate tripping class

Trip Curves

SIRIUS 3RU2 CT-based overload relays: CLASS 10 and CLASS 30



The characteristics given are mainly intended for the inverse time current characteristics of the same, the tripping times shown are for relay starting from the cold state.

The above curves are the general characteristics curves; for individual characteristics curves of each rating, please contact our nearest sales office.

Type-2 coordination charts:

SIRIUS 3RU2 CT-based overload relays: CLASS 10

- The selection is valid only for complete Siemens combinations
- **In case this combination is changed to accommodate another brand/rating, it shall be the responsibility of the person making such a change to assure type 2 performance**
- Selection is for **normal starting** conditions with starting time ≤ 6 seconds.
(For **heavy starting** applications e.g ID/FD fans, reciprocating compressor, ball mills etc., please consult Siemens.)
- **The electronic star-delta timer type 3RP should be used in star-delta feeders**
- Truly tested Type 2 combinations
- Low LCC = Low Life Cycle Cost

1. Fuseless feeder

a. DOL (415V, 50kA)

SL motor		Circuit breaker		Contactor		Bi-relay	
kW 415V, 3ph, 50/60 Hz	I _L (A)	Type	A	Type	A	Type (60°C)	Range (A)
75	132	3VL27 16-1DK36-0AA0	160	3RT10 55-6LA06	150	3RU21 56-5DB10-8K	110-160
90	160	3VL37 25-1DK36-0AA0	250	3RT10 56-6LA06	185	3RU21 56-5EB10-8K	140-200
110	195	3VL37 25-1DK36-0AA0	250	3RT10 64-6LA06	225	3RU21 66-5FB10-8K	180-250
132	230	3VL37 25-1DK36-0AA0	250	3RT10 65-6LA06	265	3RU21 66-5FB10-8K	180-250
160	280	3VL47 31-1DK36-0AA0	315	3RT10 66-6LA06	300	3RU21 66-5GB10-8K	220-320
200	350	3VL57 50-1DK36-0AA0	500	3RT10 75-6LA06	400	3RU21 76-5HB10-8K	280-400
250	430	3VL57 50-1DK36-0AA0	500	3RT10 76-6LA06	500	3RU21 76-5JB10-8K	350-500

b. Star-delta (415V, 50kA)

SL motor			Circuit breaker		Contactor line/delta		Contactor star		Bi-relay		Timer
kW 415V, 3ph, 50/60 Hz	I _L (A)	I _{ph} (A)	Type	A	Type	A	Type	A	Type (60°C)	Range (A)	Type
110	195	113	3VL37 25-1DK36-0AA0	250	3RT10 64-6LA06	225	3RT10 54-6LA06	115	3RU21 56-5CB10-8K	90-125	3RP15
132	230	133	3VL37 25-1DK36-0AA0	250	3RT10 65-6LA06	265	3RT10 54-6LA06	115	3RU21 56-5DB10-8K	110-160	3RP15
160	280	162	3VL47 31-1DK36-0AA0	315	3RT10 66-6LA06	300	3RT10 54-6LA06	115	3RU21 56-5EB10-8K	140-200	3RP15
200	350	202	3VL57 50-1DK36-0AA0	500	3RT10 76-6LA06	500	3RT10 56-6LA06	185	3RU21 66-5FB10-8K	180-250	3RP15
250	430	248	3VL57 50-1DK36-0AA0	500	3RT10 76-6LA06	500	3RT10 65-6LA06	265	3RU21 66-5GB10-8K	220-320	3RP15

2. Fused feeder

a. DOL (415V, 50kA)

SL motor		SDF		HRC Fuse		Contactor		Bi-relay	
kW 415V, 3ph, 50/60 Hz	I _L (A)	Type	Rating	Type 3NA7	Amp	Type	A	Type (60°C)	Range (A)
75	132	3KL831	200	3NA71400RC	200	3RT10 55-6LA06	150	3RU21 56-5DB10-8K	110-160
90	160	3KL832	250	3NA71440RC	250	3RT10 56-6LA06	185	3RU21 56-5EB10-8K	140-200
110	195	3KL832	250	3NA71440RC	250	3RT10 64-6LA06	225	3RU21 66-5FB10-8K	180-250
132	230	3KL833	315	3NA72520RC	315	3RT10 65-6LA06	265	3RU21 66-5FB10-8K	180-250
160	280	3KL834	400	3NA72600RC	400	3RT10 66-6LA06	300	3RU21 66-5GB10-8K	220-320
200	350	3KL841	500	3NA33650RC	500	3RT10 75-6LA06	400	3RU21 76-5HB10-8K	280-400
250	430	3KL841	500	3NA33650RC	500	3RT10 76-6LA06	500	3RU21 76-5JB10-8K	350-500

b. Star-delta (415V, 50kA)

SL motor			SDF		HRC Fuses		Contactor line/delta		Contactor star		Bi-relay		Timer
kW 415V, 3ph, 50/60 Hz	I _L (A)	I _{ph} (A)	Type	Rating	Type 3NA7	Amp	Type	A	Type	A	Type (60°C)	Range (A)	Type
110	195	113	3KL831	200	3NA71400RC	200	3RT10 54-6LA06	115	3RT10 54-6LA06	115	3RU21 56-5CB10-8K	90-125	3RP15
132	230	133	3KL832	250	3NA71440RC	250	3RT10 55-6LA06	150	3RT10 54-6LA06	115	3RU21 56-5DB10-8K	110-160	3RP15
160	280	162	3KL833	315	3NA72520RC	315	3RT10 56-6LA06	185	3RT10 54-6LA06	115	3RU21 56-5EB10-8K	140-200	3RP15
200	350	202	3KL834	400	3NA72600RC	400	3RT10 64-6LA06	225	3RT10 56-6LA06	185	3RU21 66-5FB10-8K	180-250	3RP15
250	430	248	3KL841	500	3NA33650RC	500	3RT10 65-6LA06	265	3RT10 65-6LA06	265	3RU21 66-5GB10-8K	220-320	3RP15

Your partners

Sales offices:

Ahmedabad

3rd Floor, Prerna Arbour
Girish Coldrinks Cross Roads, Navrangpura
Ahmedabad - 390 009
☎ : +91 79 30927600
Fax: +91 79 30927699

Baroda

Ground Floor, Urja Bhavan
Opp.Makarपुरa Railway Station, Maneja
Vadodara - 390 013
☎ : +91 265 3957701
Fax: +91 265 3039190

Bengaluru

1st Floor, Jyoti Mahal, No. 49, St. Marks Road
Bengaluru - 560 001
☎ : +91 80 33422000
Fax: +91 80 33424131

Bhubaneswar

Creative Plaza, 3rd Floor, Mouza Bomikhal
(Rasulgarh Square), PS Mancheswar
Bhubaneswar - 751 010, Odisha
☎ : +91 674 2581220
Fax: +91 674 2581330

Territory managers:

Aurangabad

Flat No. G1, Chanakyapuri, Phase 2
Durga Sutigirni Road, Shanoorwadi
Aurangabad - 431001, Maharashtra
Mobile: +91 9049005024
E-mail: amey.pataskar@siemens.com

Belgaum

H.No.713, Narvekar Lane, Shahpur
Belgaum - 590003, Karnataka
☎ : +91 831 2495156
Mobile: +91 9740277991
E-mail: anand.gawade@siemens.com

Bhilai

H.No LIG-47, HUDCO Sector, Bhilai
Durg, Chattisgarh - 490 009
Mobile: +91 7869922211
E-mail: pravin.deshbhratar@siemens.com

Bhopal

Flat No-104, Sagar Home Phase-2
Sarvadhama Society, Sector A, Nayapura Road
Bhopal - 462042, Madhya Pradesh
Mobile: +91 9977228084
E-mail: prajwal.khapekar@siemens.com

Cochin

K.G.Oxford Business Centre
3A, Shreekanth Rd, Ravipuram
Cochin - 682016
☎ : +91 4028611/22
Mobile: +91 9387384848
E-mail: sudheer.ts@siemens.com
Mobile: +91 9744511109
E-mail: anish.g@siemens.com

Dehradun

32, Dhronpuri, Main Lane, G.M.S. Road
Dehradun - 248001, Uttarakhand
☎ : +91 135 2528212
Mobile: +91 8650404404
E-mail: shashibhushan.prasad@siemens.com

Durg

Pancham Nivas, B-1, Zone-2, New Adarsh Nagar
Durg - 491001, Chhattisgarh
Mobile: +91 9425016197
E-mail: jitendra.potdar@siemens.com

Goa

Tower B/701-705, ICC Trade Tower
403A, Senapati Bapat Road
Pune - 411016
Mobile: +91 9496370375
E-mail: jitin.jacob@siemens.com

Guwahati

House No. 20, Ushanagar, Dispur Supermarket
Guwahati, Assam - 781006
☎ : +91 361-2230836
Fax: +91 361-2230836
Mobile: +91 9864110684
E-mail: biblab.datta@siemens.com

Haridwar

6, Nand Puri, Near Arya Nagar Chowk
Jwalapur, Haridwar - 249407, Uttarakhand
☎ : +91 1334 251943
Mobile: +91 9897070133
E-mail: ankur.singh@siemens.com

Haridwar

47, Abhishek Nagar, Kankhal
Haridwar - 249408, Uttarakhand
Mobile: +91 9621083333
E-mail: kumar.pradeep@siemens.com

Chandigarh

SCO 188/191, 3rd Floor, Sector-17 C
Chandigarh - 160 017
☎ : +91 172 4690300
Fax: +91 172 4690399

Chennai

Sathak Centre, No.4, Mahatma Gandhi Road
Chennai - 600034
☎ : +91 44 30474000
Fax: +91 44 30474088

Coimbatore

7th Floor, Global Towers
1057, Avinash Road
Coimbatore - 641 018
☎ : +91 922 3076300
Fax: +91 922 3076310

Gurgaon

Plot No -78, Tower -B
Jagatjit Industries Building (JIL)
Opposite SBI Academy, Sector-18
Gurgaon - 122015
☎ : +91 124 2842000, 3810200

Hospet

Ramanand Residency, Flat No. 204, 1st Main
Nehru Co-op Colony, Hospet - 583203, Karnataka
Mobile: +91 9901400227
E-mail: roy.sanjib@siemens.com

Hubli

21, Sri Mallikarjuna Nilaya, 1st Floor
Somanagowdara Layout, Bengeri Extension
Hubli - 580023, Karnataka
☎ : +91 836 2282947
Mobile: +91 9880003724
E-mail: kr.purushottam@siemens.com

Indore

Flat No.102, Panchavati Apt.
40 Chandralok Colony, Khajrana Road
Indore - 452001, Madhya Pradesh
Mobile: +91 9926939993
E-mail: prashant.joshi@siemens.com

Indore

Flat No-206, A Block, Shubh Labh Heights
Near Malvi Nagar Chouraha
(Near Velocity Multiplex), MR-9, Ring Road
Indore - 452001, Madhya Pradesh
Mobile: +91 9713013050
E-mail: rohit.seth@siemens.com

Jodhpur

6, Park Street, Opp. Pink City Petrol Pump, M.I.Road
Jaipur - 302 006, Rajasthan
☎ : +91 141 5152108
Fax: +91 141 2370482

Jalandhar

House No.722, 1st Floor, Urban Estate
Phase I, Jalandar - 144022, Punjab
Mobile: +91 9876047929
E-mail: sunil.singla@siemens.com

Jamshedpur

Flat No. AC 17/D, 2nd Floor, Phase - 11
Adarshnagar, Sonari, Jamshedpur - 831011
Mobile: +91 9771498151
E-mail: sumit.sengupta@siemens.com

Jamshedpur

Flat No. B2/D, 9th Phase, Adarshnagar, Sonari
Jamshedpur - 831011, Jharkhand
Mobile: +91 9836311093
E-mail: sumanta.bhattacharya@siemens.com

Kanpur

Flat No. 403, Gulmohar Garden Phase II
Near Mariampur Hospital, Chain Factory
Shastri Nagar, Kanpur - 208005
Mobile: +91 8009900939
E-mail: shagun.gupta@siemens.com

Kolhapur

Flat No.101, Shrushti Mahabharat Apartment
Mahavir Garden To Mahavir College Road
Nagala Park, Kolhapur - 416003
☎ : +91 231 2663330
Mobile: +91 9881465421
E-mail: sachin.chavan@siemens.com

Kota

105, Manglayatan Apartments, Near Jain Mandir
Bhinganj Mandi, Kota - 324002
Mobile: +91 9828419111
E-mail: avinash.mathur@siemens.com

Ludhiana

H.No.92, Lajpat Nagar, Near Bus Stand
Ludhiana - 141002, Punjab
Mobile: +91 9815502480
E-mail: rohit.jagga@siemens.com

Hyderabad

5-9-19, 4th & 5th Floor, Laxmi Narasinh Estate
Opp. Secretariat Road, Saifabad
Hyderabad - 500 004
☎ : +91 40 30922500
Fax: +91 40 30923145

Jaipur

6, Park Street, Opp. Pink City Petrol Pump, M.I.Road
Jaipur - 302 006, Rajasthan
☎ : +91 141 5152108
Fax: +91 141 2370482

Kolkata

5th Floor, Infinium Digispace
CP - 15, Sector V, Salt Lake
Kolkata - 700091
☎ : +91 33 30171911
Fax: +91 33 30171328

Lucknow

28/45, Ashok Marg, Opp. Indira Bhawan
Lucknow - 226001
☎ : +91 522 4031022, 4031000
Fax: +91 522 4031019

Ludhiana

H.No. D-29, New Kitchlu Nagar, Ludhiana
Mobile: +91 9878098612
E-mail: amitoj.singh@siemens.com

Ludhiana

R-125 Sarabha Nagar Extension
Phase-2, Pakhowal Road, Ludhiana, Punjab
Mobile: +91 9888484066
E-mail: padam.sharma@siemens.com

Madurai

Anirudh Block, F-Top 3, Vasudhara Apartment
84, TPK Main Road, Andalapuram
Madurai - 625 003, Tamil Nadu
Mobile: +91 9894617776
E-mail: sivaprakasam.r@siemens.com

Mangalore

No. 3, Shreyas Apartment Chandrika Extension
NS Bose Road, Bejai, Mangalore - 575004
Mobile: +91 9632835364
E-mail: joseph.arun@siemens.com

Meerut

H-334, Shastri Nagar, Meerut - 250001
Mobile: +91 9837049091
E-mail: pankaj.chopra@siemens.com

Mysore

#43, Ground Floor, 8th Cross, 3rd Main
1st Stage, "C" Block, J.P. Nagar, Mysore - 570008
Mobile: +91 9900855779
E-mail: niranjan.kv@siemens.com

Nashik

1, Nirman Classic Apartment, Thatte Nagar
Behind HDFC Bank, Nasik - 422005
Mobile: +91 9822193204
E-mail: shalesh.bakshi@siemens.com

Nashik

Building No.1, Flat No.15, Tirupati Town
Near Akashwani Tower, Gangapur Road
Nashik - 422013
Mobile: +91 9619620068
E-mail: jugal.shah@siemens.com

Patna

Flat No. 105, S.D. Apartment, Kavi Raman Path
Nageshwar Colony, Boring Road, Patna - 800001
Mobile: +91 9771414108
E-mail: vikash.prasad@siemens.com

Pondicherry

"Raghavendra ILLAM", Gnd Floor, No 21
3rd Cross Street, Anna Nagar, Pondicherry - 605005
Mobile: +91 9840143536
E-mail: lakshmanan.s@siemens.com

Raipur

103 Risabh Regency, Near Shri Medishine Hospital
New Rajendra Nagar Raipur (C G) - 492006
Mobile: +91 9425601849
E-mail: raghuraj.bisen@siemens.com

Rajkot

"Vruijraj", Chandanpark Society
Opp. Gyanganga Vidhyapith, Nr. Raiya Circle
Rajkot - 360005, Gujarat
Mobile: +91 9825021026
E-mail: hiren.raythatha@siemens.com

Rourkela

Plot No. LCR 618, 1st Phase Chhend
Rourkela - 769015
Mobile: +91 9438529778
E-mail: samir.chintak@siemens.com

Mumbai

Business Centre-1
Thane Belapur Road, Thane - 400 601
☎ : +91 22 39663000
Fax: +91 22 39663721

Nagpur

5th Floor, Land Mark Building
Wardha Road, Ramdas Peth
Nagpur - 440 010
☎ : +91 712 3093000
Fax: +91 712 3093111

Pune

Tower B/701-705, ICC Trade Tower
403A, Senapati Bapat Road
Pune - 411016
☎ : +91 20 30466000
Fax: +91 20 30466060

Vishakhapatnam

2nd Floor, 30-8-47, Lakshmi Narasimha Towers
Banu Street, Daba Gardens
Visakhapatnam - 530 020, Andhra Pradesh
☎ : +91 891 3050200
Fax: +91 891 3050222

Rudrapur

Flat No. 63, Tower H8, Metropolitan City
Nainital Road, Rudrapur - 263153, Uttarakhand
Mobile: +91 9720999887
E-mail: singh.vineet@siemens.com

Salem

3/25, Santosh Nagar, PACB Backside
Chinnathirupathi, Salem - 8
☎ : +91 427 2401981
Mobile: +91 9894617772
E-mail: rubengerald.s@siemens.com

Surat

Flat No. 202, D-1, Suryam Residence
Cause Way Road, Opp. Hari Darshan
Shinganpor-Dabholi Road, Katargam
Surat - 395004, Gujarat
Mobile: +91 9925001779
E-mail: chandrakant.keshrani@siemens.com

Surat

3/A, Navrachana Society
Opp.D.K.Park, Bhatar Road, Surat - 395001
Mobile: +91 9879510191
E-mail: mitul.kapadia@siemens.com

Trichy

11/209-B, 6th Cross Street, West Extension
Vasan Nagar, Rettai Vaikkal, Vayalur Road
Trichy - 602102
Mobile: +91 9176609375
E-mail: muthu.kumar@siemens.com

Trivandrum

7th Floor, Global Towers
1057, Avinash Road, Coimbatore - 641 018
Mobile: +91 9387384848
E-mail: sudheer.ts@siemens.com

Udaipur

26-B, Amrudon Ki Badi, Near Ambamata Mandir
Udaipur - 313 001 (Rajasthan)
☎ : +91 294 2430345
Mobile: +91 9829039120
E-mail: ajit.parashar@siemens.com

Vapi

Flat No.401, A Wing, Madhav Gems, Nutanagar
Valsad Road, Vapi (East), Valsad Dist, Vapi - 396191
Mobile: +91 9687668690
E-mail: pandey.abhishek@siemens.com

Vapi

Shubham Tower, No.3, 'C' Wing
Flat No.1008, Chala, Vapi Daman Road, Vapi
Mobile: +91 9825147957
E-mail: s.anand@siemens.com

Varanasi

D 63/12B - 13-14-15
Dayal Enclave Mahmorganj
Varanasi - 221010
Mobile: +91 9794237349
E-mail: tarun.srivastava@siemens.com

Vijayawada

D. 20-6-164C, Street 4, Ramlingeshwaraopeta
Landmark: Near to Lotus Landmark
Vijayawada - 520003
Mobile: +91 9642351144
E-mail: venkateswar.d@siemens.com

Siemens Ltd.
Industry Sector
Control Products
R&D Technology Centre
Kalwa Works, Thane Belapur Road
Thane - 400 601
Fax: +91 22 33265627
E-mail: lvsgr-mktg.india@siemens.com

www.siemens.co.in

Order No.: 105881162
SGR-01PC-1013

Customer Care Toll free no.
180022 0987 / 1800 209 0987
Email: ics.india@siemens.com

Product upgradation is a continuous process. Hence, data in this brochure is subject to change without prior notice. For the latest information, please get in touch with our Sales Offices.